



**We believe  
clean air is a  
fundamental  
right**



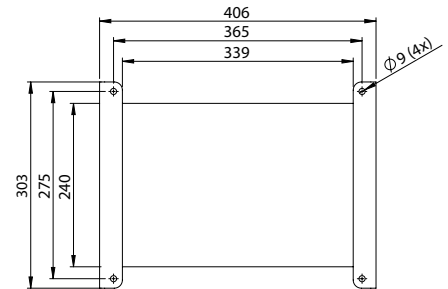
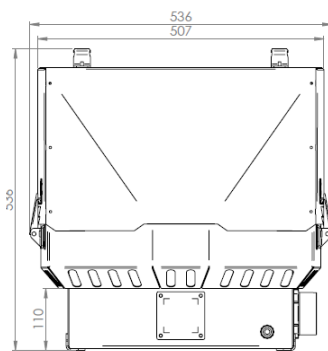
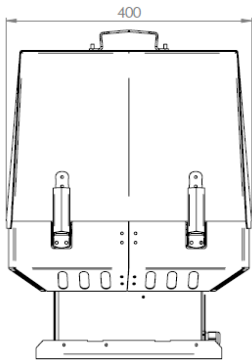
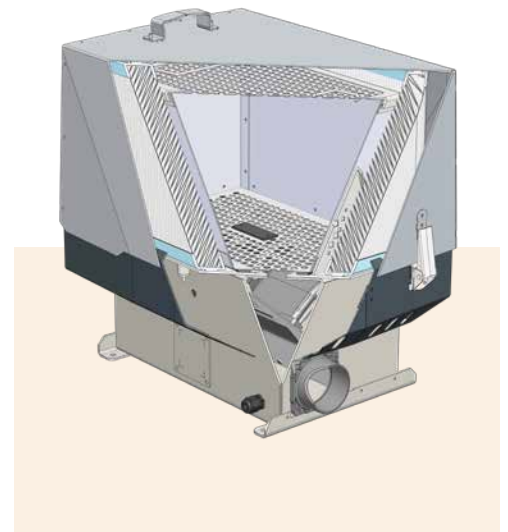
**BMair**

Datasheet MAO-3 Metal Cover



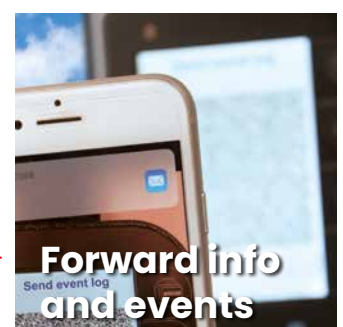
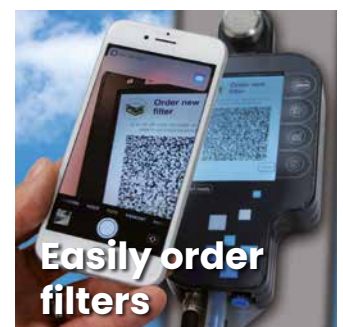
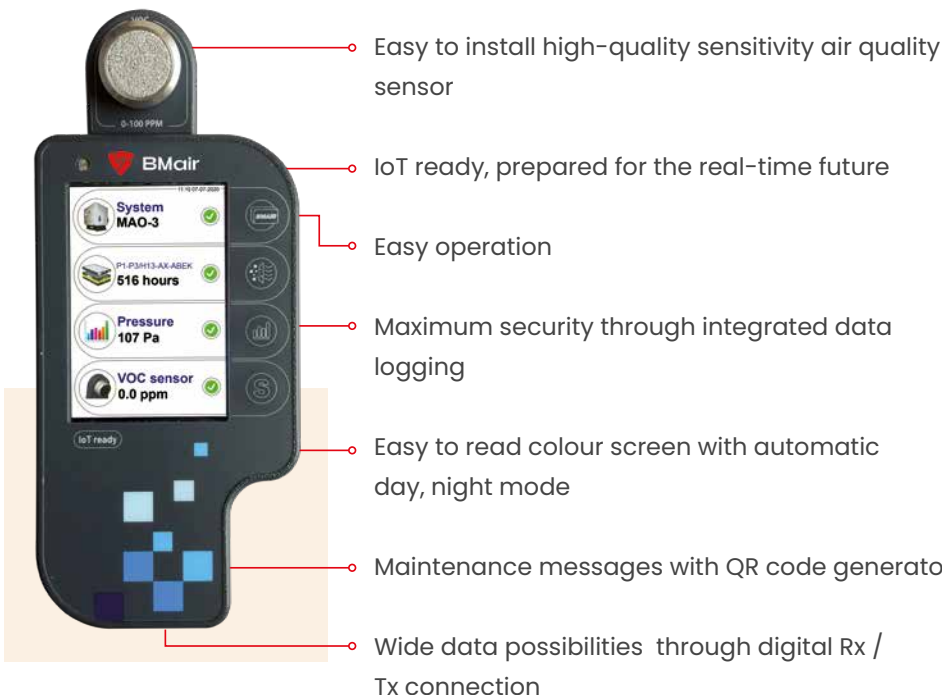
## MAO-3 Metal Cover

Our latest innovation is custom-built to meet the rising demand for compact and intelligent systems. Encased within a modern, sturdy plastic housing lies a uniquely contoured self-cleaning HEPA filter boasting unparalleled capacity. Additionally, this innovative design accommodates a compact, full 10kg carbon filter. With dimensions engineered for maximum efficiency, our product ensures a filter contact time surpassing that of competitors.



## PAC Smart Control

Monitoring safety within the cabin is equally crucial. Merely hearing a system running doesn't assure functionality. That's why the MAO-3 Metal Cover includes a BMair PAC control as standard.

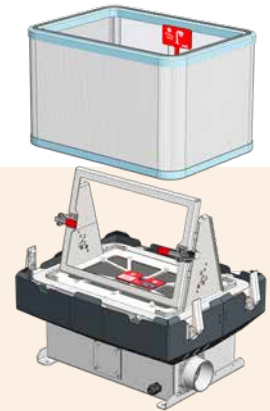


# MAO-3 Metal Cover

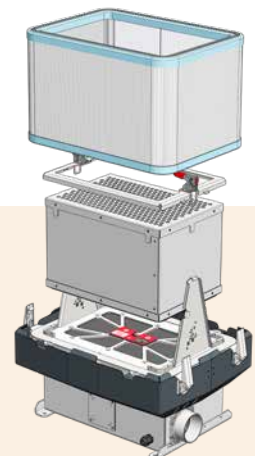
## Combi filters

The BMAir filters ensure that machine drivers work more safely than ever, even in polluted work environments. Especially in polluted environments. Because our advanced and patented technology make our systems and filters exceptionally effective. Even under the harshest conditions.

Dust combination:	Type	Art. nr.
Asbestos	P1-P3/H13	125320
Toxic particulate matter, asbestos silica dust and heavy metals. Efficiency > 99.95%		



Active carbon combinations:	Type	Art. nr.
Benzene	P1-P3/H13-A	125310
Vapours from solvents and hydrocarbons (e.g. diesel)		
Dredging	P1-P3/H13-ABE	125340
Vapours from dredging spoil such as bacteria, toxic particulate matter, heavy metals and H <sub>2</sub> S		
ABE/K	P1-P3/H13-ABE-K	125345
Vapours such as H <sub>2</sub> S and ammonia. (caution: not for use with cyanides such as HCN)		
ABEK	P1-P3/H13-ABEK	125350
Vapours from cocktail of toxic substances. In accordance with EN14387		
Ammonia/Organic waste	P1-P3/H13-A-K	125360
Vapours from waste and composting such as spores, bacteria, viruses, organic and ammonia		
AX	P1-P3/H13-A-AX	125370
Vapours from solvents and hydrocarbons with boilingpoint < 65°C		



# We fight unhealthy air



**BMair**